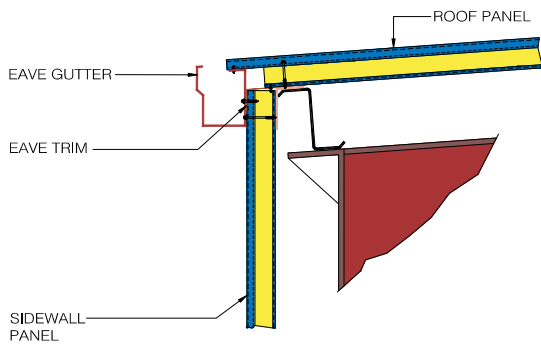
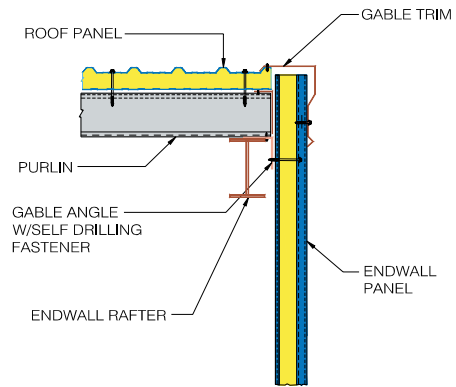


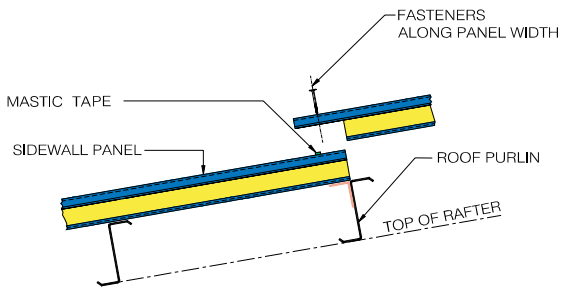
SANDWICH PANEL ~ INSTALLATION DETAILS



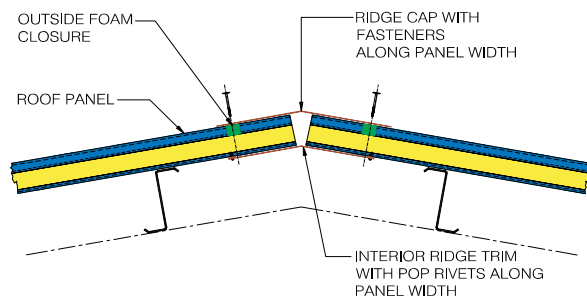
ROOF AND WALL PANEL AT EAVE



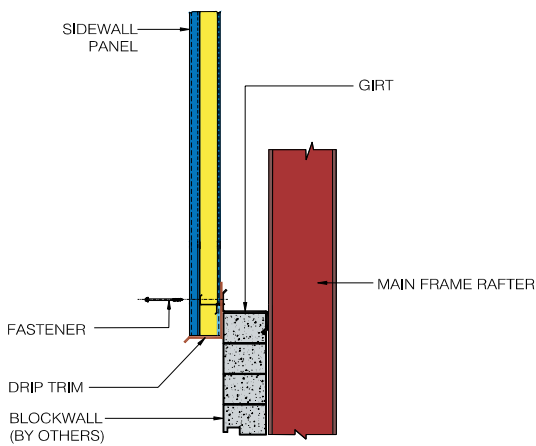
ROOF AND WALL PANEL AT GABLE



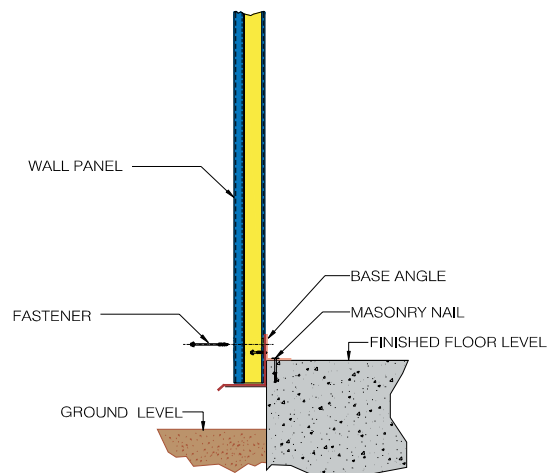
ROOF PANEL AT END LAP



ROOF PANEL AT RIDGE



WALL PANEL ABOVE BLOCKWALL



WALL PANEL AT FINISHED FLOOR